

CONCEPT 2 CEILING FAN



Brushed Aluminium

Installation Locations:

Indoor and outdoor (provided the fan is fully undercover)

Recommended Height:

There should be at least 2.1m between the lowest point of the fan blades and the floor.

Top of canopy cover to lowest point of the fan without light fittings attached:

Approximately 280mm

Motor:

16 Pole, 153mm x 18mm motor
Made with the highest grade copper windings and silicone steel stator. Bearings are sealed to ensure quiet operation and long life.

Motor Housing:

Materials: Die cast Aluminium

Available Colours :

White, White Birch, Matt Black, Polished Aluminium and Brushed Aluminium

Blades:

Sizes: 1320mm (52")
Materials: NZ plywood, painted finish
Blade Pitch: 12°

Available Blade Colours:

White, White Birch, Matt Black, Polished Aluminium and Brushed Silver

Extra Information:

Introduced into the HPI range in 2005
3 Speed wall controller
Light Adaptable
Reversible

Standard Canopy Cover:

Suitable for flat and pitched ceilings up to 28°

Wall Controller Speed Capacitor Values:

3µF & 2µF

Rotational Diameter:

1320mm (52") blade sweep

Ceiling to top side of the blade:

Approximately 229mm

Weight Including Packaging:

Complete fan: 8.4kg
Light Fitting: 1.3kg

Packaging Dimensions (cm):

Complete Fan: 60L x 30W x 30H

Accessories:

Remote Control
Extension Down Rod 26mm diameter
45° Ceiling Kit (for pitched ceilings)
T-Hook for ceiling roses
Universal Mounting Brace
1220mm (48") Blades

Warranty

2 years "in home" covering major defects
3 Years additional covering motor only (not labour)
Remotes -1 year "in home" covering major defects. (receiver and handpiece)
Lights -1 year "in home" covering major defects

Airflow and Efficiency:

Airflow measured in Australia using the "Energy Star Solid-State Test Method", the only test method recognised for USA Energy Star compliance.

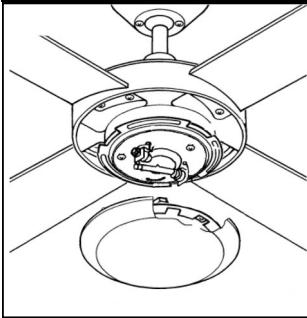
	HIGH	MED	LOW
RPMS	200	126	99
WATTS	66	29.3	16.8
AIRFLOW[^]: AUS-ES / USA-ES	9054 / 12223	5928 / 8003	4238 / 5721
EFFICIENCY[^]: AUS-ES / USA-ES	137.18 / 185.20	202.32 / 273.14	252.26 / 340.54

[^] Airflow measured in Cubic metres/ Hour (CM/HR), Efficiency measured in CM/HR per watt (CMH/W)

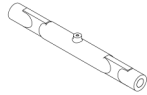
For full warranty details please see Hunter Pacific International's website www.hunterpacific.com.au

CEILING FAN LIGHTING - SUITABLE FOR INSTALLATION WITH CONCEPT 1 & 2, AND ECO²

78mm Halogen Light (MAX 100W)



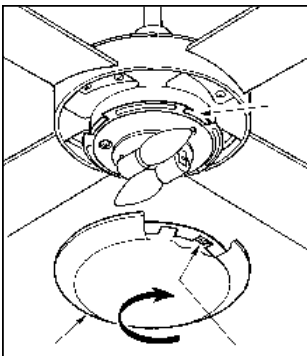
- Cost effective
- Colour—warm white
- Dimmable
- Compact in size



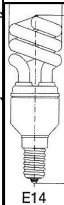
ROUND STYLE GLASS



E14 Light (MAX 2x40W)



- Accepts a variety of lamps, e.g. incandescent, fluorescent.
- Cost effective
- Compatible with some CFL lamps



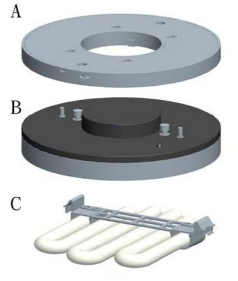
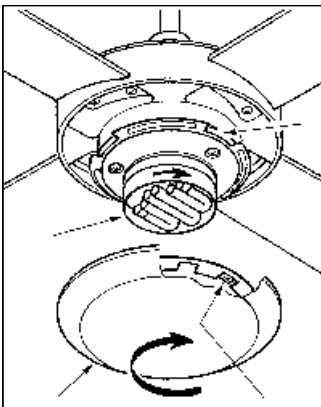
FLAT STYLE GLASS



Colours Available:

Round and flat light kits are available in motor colours ~ White, White Birch, Matt Black, Polished Aluminium and Brushed Chrome

GX53M 14W Compact Fluorescent Light



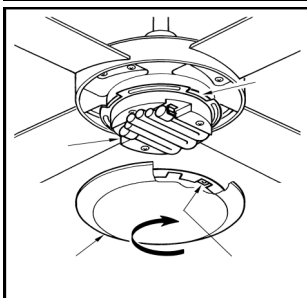
- A Base
- B Lamp Assembly
- C Tube

- Low wattage
- High light output
- Liquid mercury free
- Colour—Warm white/Cool white colour temperatures available
- Low heat
- 12000 hour life span
- 2700k or 3000k

Packaging Dimensions

26L x 26W x 11H
1.3kgs
240mm diameter

Flat 6, 26W Fluorescent Lamp



- High Efficiency (EEI=A2)
- High light output
- Liquid mercury free
- Low heat
- Fewer shadows visible
- Dimmable on certain fan models; eCO² & Ice Range (with Model 089 FLDR)
- 4100k

^ All light kits must be installed by a licensed electrician. For further information about correct installation procedures, please see www.hunterpacific.com.au

For full warranty details please see Hunter Pacific International's website www.hunterpacific.com.au