

ICON 52" CEILING FAN



Brushed Aluminium no light

Installation Locations:

Indoor and outdoor (provided the fan is fully undercover)

Standard Canopy Cover:

Suitable for flat and pitched ceilings up to 28°

Recommended Height:

There should be at least 2.1m between the lowest point of the fan blades and the floor.

Wall Controller Speed Capacitor Values:

3µF & 2µF

Top of canopy cover to lowest point of the fan without light fittings attached:

Approximately 280mm

Rotational Diameter:

1320mm (52") blade sweep

Ceiling to top side of the blade:

Approximately 222mm

Motor:

16 Pole, 172mm x 14mm motor
Made with the highest grade copper windings and silicone steel stator. Bearings are sealed to ensure quiet operation and long life.

Weight Including Packaging:

Complete fan: 10.5kg

Packaging Dimensions (cm):

Complete Fan: 63L x 35W x 38H

Motor Housing:

Materials: Die Cast Aluminium

Accessories:

- Remote Control
- Extension Down Rod 26mm diameter
- 45° Ceiling Kit (for pitched ceilings)
- T-Hook for ceiling roses
- Universal Mounting Brace

Available Colours :

White & Brushed Aluminium

Warranty

- 2 years "in home" covering major defects
- 3 Years additional covering motor only (not labour)
- Remotes -1 year "in home" covering major defects. (receiver and handpiece)
- Lights -1 year "in home" covering major defects

Blades:

Sizes: 1320mm (52")
Materials: NZ plywood, Painted finish
Blade Pitch: 12°

Available Blade Colours:

White & Brushed Aluminium

Extra Information:

Introduced into the HPI range in 2008
3 Speed wall controller
Light adaptable
Reversible

Airflow and Efficiency:

Airflow measured in Australia using the "Energy Star Solid-State Test Method", the only test method recognised For USA Energy Star compliance.

	HIGH	MED	LOW
RPMS	187	120	92
WATTS	71.4	31.1	16.9
AIRFLOW[^]: AUS-ES / USA-ES	8472 / 11437	5324 / 7187	3874 / 5230
EFFICIENCY[^]: AUS-ES / USA-ES	118.66 / 160.18	171.19 / 231.11	229.23 / 309.46

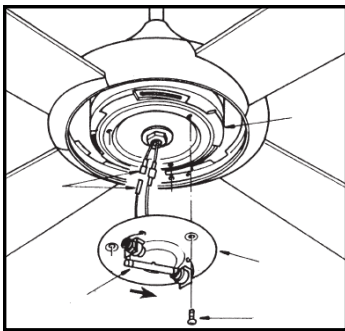
[^] Airflow measured in Cubic metres/ Hour (CM/HR), Efficiency measured in CM/HR per watt (CMH/W)

For full warranty details please see Hunter Pacific International's website www.hunterpacific.com.au

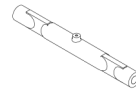
ICON 52" CEILING FAN LIGHTING



78mm Halogen Light (MAX 100W)



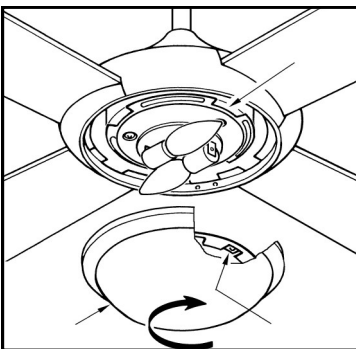
- Cost effective
- Colour—warm white
- Dimmable
- Compact in size



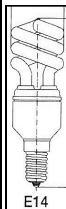
78mm linear Halogen Light globe



E14 Light (MAX 2x40W)



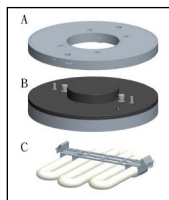
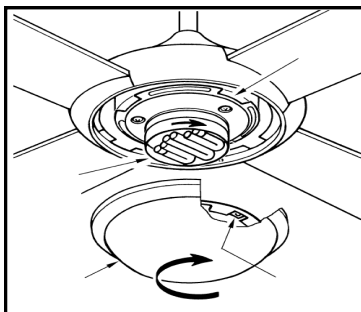
- Accepts a variety of lamps, e.g. incandescent, fluorescent.
- Cost effective
- Compatible with some CFL lamps



Colours Available:
available in motor colours
~ White and Brushed Aluminium

Packaging Dimensions
25L x 25W x 10H
Weight: 1kgs
240mm diameter
80mm depth (glass & rim)

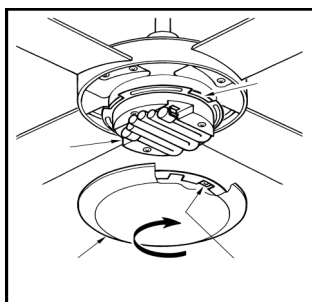
GX53M 14W Compact Fluorescent Light



- A Base
- B Lamp Assembly
- C Tube

- Low wattage
- High light output
- Liquid mercury free
- Colour—Warm white/Cool white colour temperatures available
- Low heat
- 12000 hour life span
- 2700k or 3000k

Flat 6, 26W Fluorescent Lamp



- High Efficiency (EEI=A2)
- High light output
- Liquid mercury free
- Low heat
- Fewer shadows visible
- Dimmable on certain fan models; eCO² & Ice Range (with Model 089 FLDR)
- 4100k

^ All light kits must be installed by a licensed electrician. For further information about correct installation procedures, please see www.hunterpacific.com.au

For full warranty details please see Hunter Pacific International's website www.hunterpacific.com.au